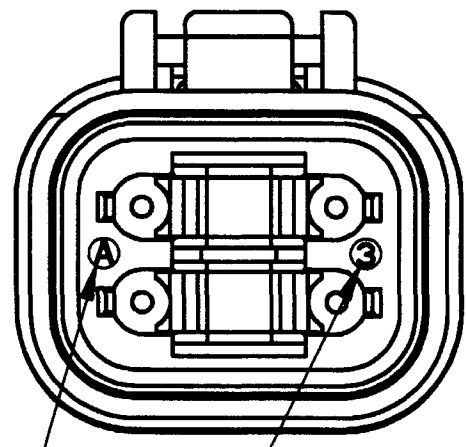
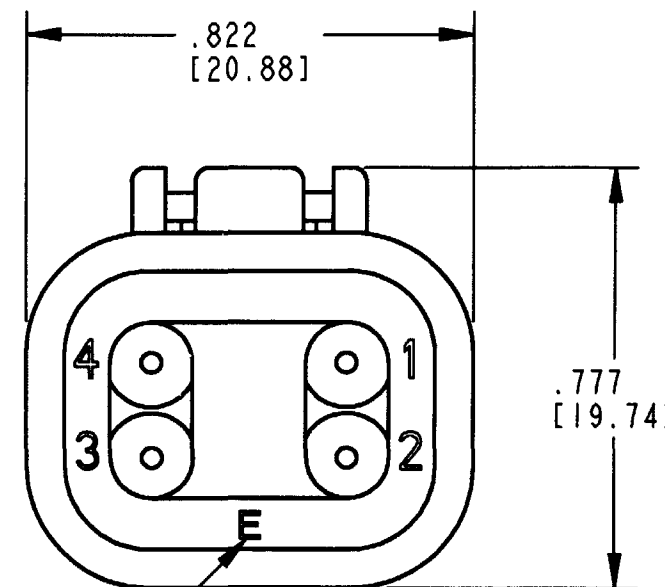
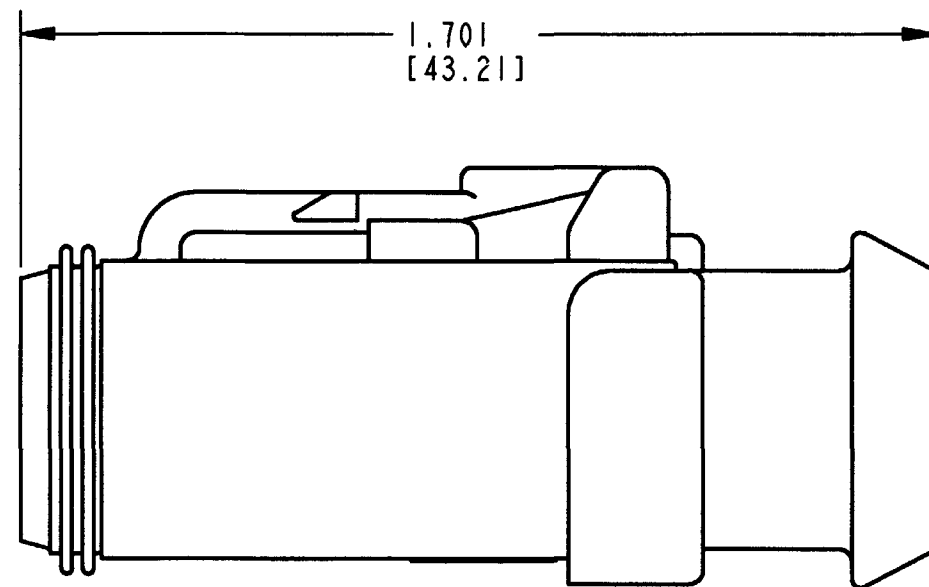


REV NC	DT06-4S-CE13	REVISIONS		
SYM	DESCRIPTION	DATE	APPROVED	
NC	NEW RELEASE PER E.O. P18226	8-6-03	RDR	



DATE CODE: YEAR TO BE REPRESENTED BY LAST NUMERICAL DIGIT. EX: 3 = 2003. MONTH USES SEQUENTIAL ALPHA CHARACTERS. EX: A = JANUARY.



-E- SYMBOL DESIGNATES REDUCED WIRE SEAL

CONTACT SIZE	MIN. INSUL. O.D.	MAX. INSUL. O.D.	WIRE RANGE [mm ²] REF ONLY
16	.053 [1.35]	.120 [3.05]	14-20 AWG [2.0-0.5]

- 5. MATERIAL: SHELL: PLASTIC; SEAL: RUBBER
- 4. THIS PLUG MATES WITH THE DT04-4P-**** RECEPTACLE. (**** = ALL MODIFICATIONS) CONSULT FACTORY FOR MODIFICATIONS.

3. FOR CONTACTS AND WIRE PERFORMANCE AND CHARACTERISTICS, SEE ENVELOPE DRAWINGS 0425-015-0000 AND 0425-017-0000.

- 2. ALL DIMENSIONS ARE ±.025[.64] UNLESS OTHERWISE SPECIFIED.

NOTES: 1. ALL DIMENSIONS ARE IN INCHES [MILLIMETERS].

SIGNATURE & DATE	
DR	X. SANCHEZ 20 JUN 03
CHK	Juan C. Lopez 8/5/03
PE	John P. ... 8/10/03
APPD	EBland 8-6-03
SCALE	NONE
WT	

4 WAY PLUG
-CE13 MOD.
COLOR: BLACK
DT SERIES

ENVELOPE

CP	MATL. CODE
The Deutsch Company DEUTSCH I.P.D. 3850 INDUSTRIAL AVE. HENET, CALIF. 92545	
B	DT06-4S-CE13
DWG SIZE	CODE 11130 SHEET OF